



National Company. Local Service.

FRICTION STAY MAINTENANCE & OPERATING INSTRUCTIONS



DGS GROUP PLC.

Head Office

Tel: (01332) 811611

Email: sales@dsgsgroup.co.uk

Glasgow Branch

T: 0141 9523758

E: glasgow@dsgsgroup.co.uk

Newcastle Branch

T: 0191 4690988

E: newcastle@dsgsgroup.co.uk

Leeds Branch

T: 0113 2526313

E: leeds@dsgsgroup.co.uk

Southwest Branch

T: 01291 430727

E: southwest@dsgsgroup.co.uk

Swansea Branch

T: 01792 700555

E: swansea@dsgsgroup.co.uk

Exeter Branch

T: 01392 824129

E: exeter@dsgsgroup.co.uk

Southern Branch

T: 01628 784971

E: southern@dsgsgroup.co.uk

Brentwood Branch

T: 01277 218072

E: brentwood@dsgsgroup.co.uk

Northern Ireland Branch

T: 028 9077 2477

E: belfast@dsgsgroup.co.uk

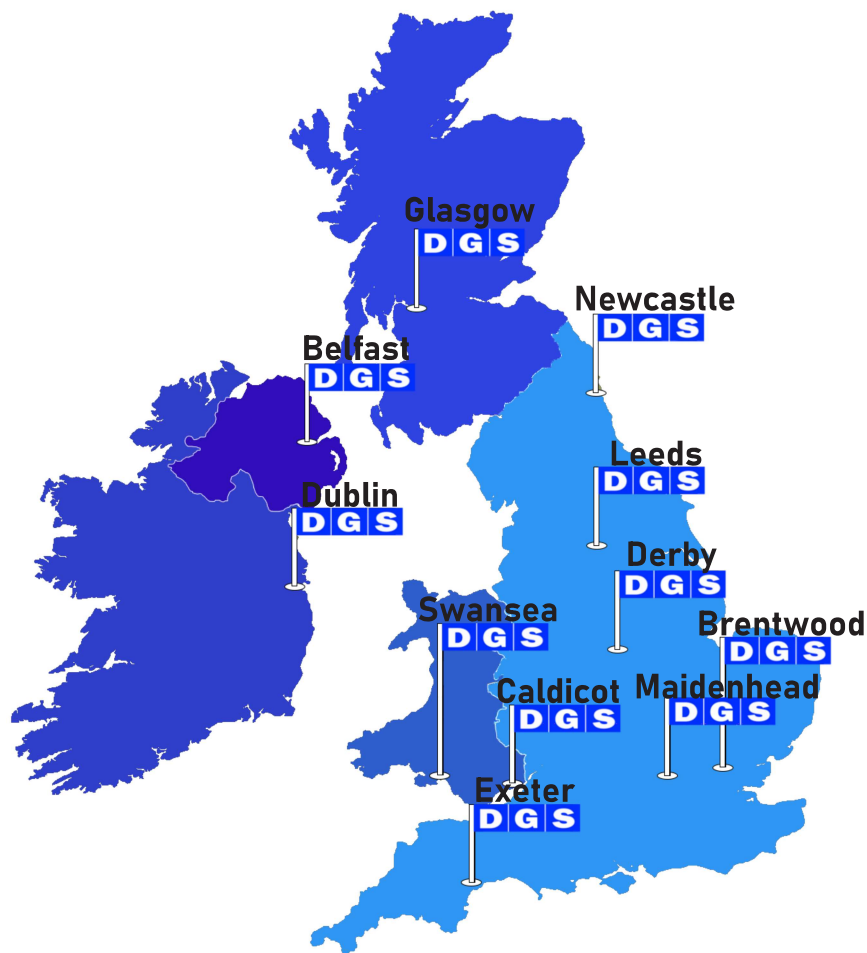
DGS Ireland Ltd

T: 01 626 1055

E: dublin@dsgsgroup.co.uk

For full Address and Contact Details
see our website

www.dsgsgroup.co.uk



Window

- ✓ ELITE Friction Stays
- ✓ ELITE Restrictors and Catches
- ✓ ELITE Twin Cam Range
- ✓ ELITE Espagnolettes
- ✓ ELITE Shootbolts
- ✓ ELITE Tilt and Turn Gearing
- ✓ ELITE Window Handles
- ✓ ELITE Lifetime Homes Casement Products
- ✓ PVC Vents
- ✓ Acoustic Vents
- ✓ Aluminium Vents
- ✓ Folding Openers
- ✓ Highline Gearing
- ✓ PTFE Paper
- ✓ Fixing Screws

Door

- ✓ ELITE Door Locks
- ✓ ELITE Door Restrictors
- ✓ ELITE Door Hinges
- ✓ ELITE Lever Lever Handles
- ✓ ELITE Lever Pad Handles
- ✓ ELITE Pull Handles
- ✓ ELITE 6 Pin Cylinders
- ✓ ELITE 1 Star Cylinders

- ✓ ELITE 3 Star Cylinders
- ✓ Letter Plates
- ✓ Door Knockers
- ✓ Door Handles
- ✓ Door Numbers
- ✓ Door Accessories
- ✓ Low Threshold
- ✓ Inline Patio
- ✓ Emergency Exit Gearing
- ✓ Fixing Screws

Sealed Unit

- ✓ Warm Edge Bar
- ✓ Aluminium Bar
- ✓ Bendable Bar
- ✓ Duplex/Double Faced Systems
- ✓ Spacer Bar Accessories
- ✓ Hotmelt
- ✓ 2 Part Sealant
- ✓ PIB Sealant
- ✓ Desiccant
- ✓ Georgian Bar and True Colour Match Accessories
- ✓ Lead
- ✓ Bevels and Adhesives
- ✓ Edge Tapes
- ✓ Spacer Bar Tapes
- ✓ Glass Cleaning Products
- ✓ Protection Pads

- ✓ Silicone Pads
- ✓ Nozzle Guides
- ✓ Pin Guns and Staples
- ✓ Glass Tools

Fitting

- ✓ Foam Trims
- ✓ Capping and Fascia Boards
- ✓ Roofline Soffits
- ✓ Window Cills
- ✓ Dry Verge System
- ✓ Decorative Panels
- ✓ Poly Pins and Nails
- ✓ Rainwater Range
- ✓ Silicones and Acrylic
- ✓ Superglues
- ✓ Expanding Foam
- ✓ Frame Packers
- ✓ Repair Gaskets
- ✓ Cleaning Products
- ✓ Silicone Spray
- ✓ Cleaning Paper
- ✓ Security Tapes
- ✓ Fitting Tools
- ✓ Fixing Screws

Our full range of products can be found on our website.

www.dgsgroup.co.uk

FITTING INSTRUCTIONS

Introduction

Size and weight limitations for the product must be strictly observed - if in doubt please consult your local DGS branch for advice.

It is the responsibility of the window manufacturer to ensure that the finished window meets the required performance and safety specifications.

1. The friction hinge must be correctly positioned usually in a purpose designed groove in the extrusion, typically 18mm nominal wide track and 16mm nominal wide vent arm. The extrusion may or may not be reinforced, with either steel or aluminium. NB: unreinforced window systems may not pass some standards.
2. All fixing holes must be used to secure the friction stay. ***With the exception of the top location hole (used in the manufacturing process)**
3. The hinge must be fitted so that, in the closed position, the centre of the vent arm lies parallel to the centre of the track.
4. The hinge should be fitted so that the end cap butts into the corner of the frame; this is particularly important for egress and high security products. The corner of the vent or weld sprue must not foul the end cap of the hinge.
5. The friction device should be adjusted to give the required degree of resistance.

Fixing

DGS strongly recommend that screws made of a high grade stainless are used. We recommend Austenitic A2 screws. For exceptionally corrosive environments we can offer even higher corrosion protection. Please contact your local DGS branch.

Suitable fastenings must be used to secure the friction stay. That is, the fixing screws must be made of a suitable material and be of the correct form and size.

*Do not fit screw into top hole. This is a location hole used in the manufacturing process only.



End cap must butt into the corner of the frame; this is particularly important for egress and high security products. The corner of the vent or weld sprue must not foul the end cap of the hinge.



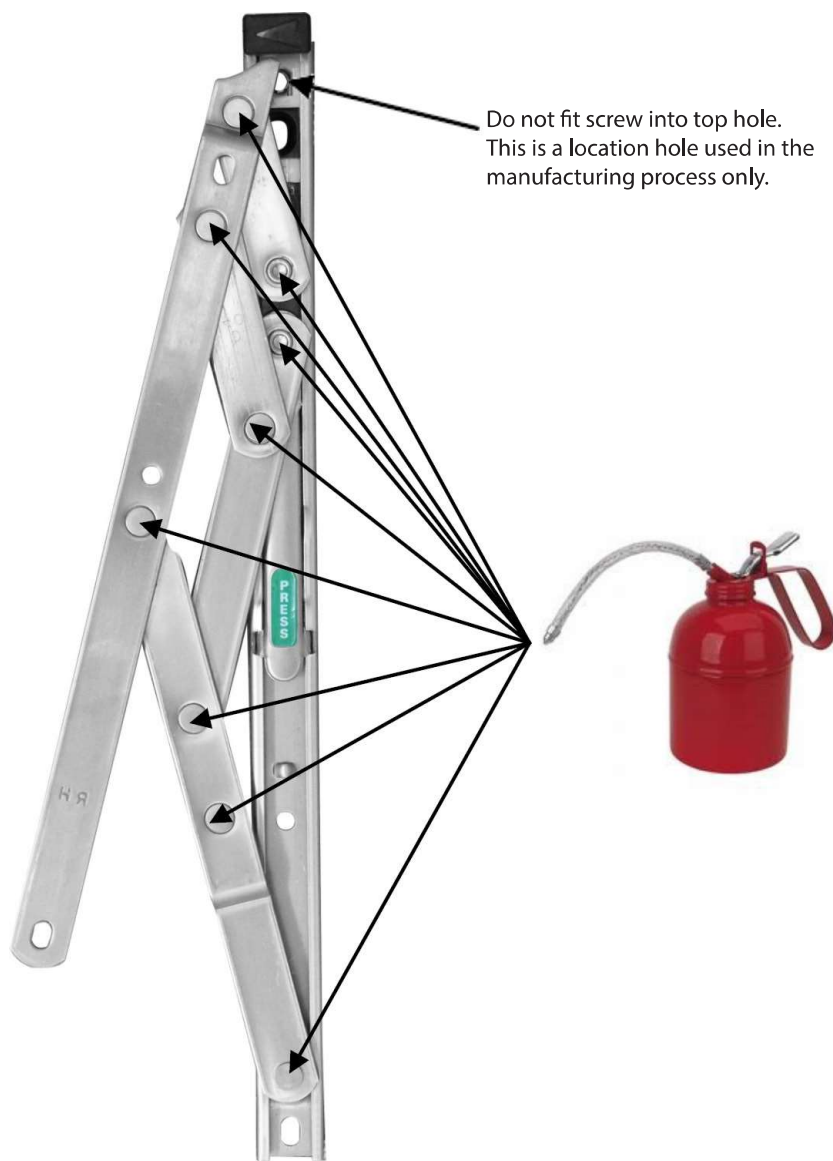
The friction device should be adjusted to give the required degree of resistance.



Vent arm must lie parallel to the centre of the track in the 'park' position.

For further technical information, please contact your local DGS Branch.

MAINTENANCE INSTRUCTIONS



Maintenance

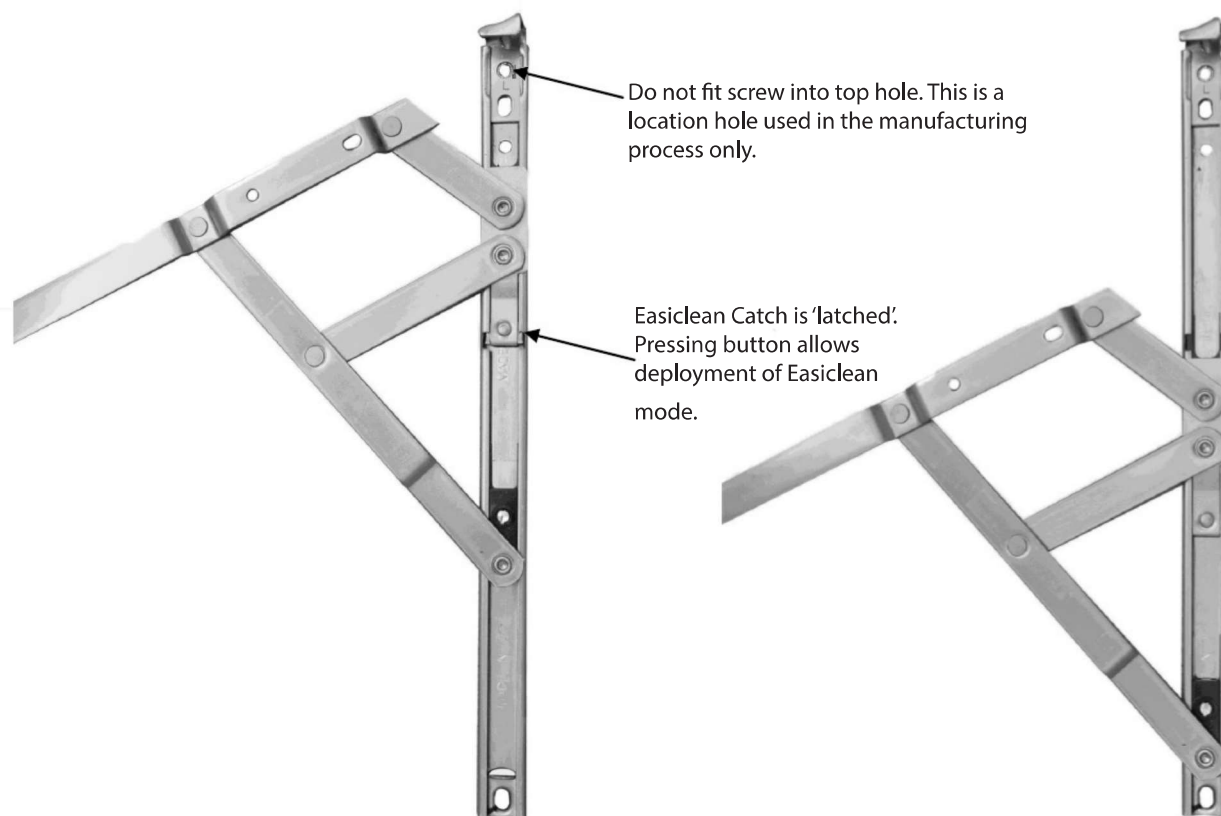
It is recommended that:

DGS ELITE Friction Stays are manufactured to the highest quality standards but care must be taken to ensure optimum performance. At the time of installation, any dust or debris must be removed from the track, sliding shoe and end point location area.

Lubricate all pivot points with light machine oil (e.g. "3-in-1" oil).

The end user must be made aware of the need to clean and re-lubricate the stay at least every two years. The end user should be aware that the tightness of all fixing screws and the friction adjusting screw should be checked periodically.

Operating instructions for easiclean friction stays.



Easiclean stay opened to normal position.
The Easiclean latch is engaged.

Easiclean stay with Easiclean mode deployed. The Easiclean latch is disengaged to allow this mode. The catch will re-engage automatically when the mechanism is slid back to the standard position.

Easiclean stays must be used in pairs.

Instructions

1. Open the window fully.
2. The fully open window will now expose a button on each stay. Pressing these buttons will allow the window to slide sideways for easy cleaning. Be sure to slide the window sideways gently and as evenly as possible to avoid any damage to the stays. When cleaning has been completed simply slide the window carefully back to its normal position; the catches will then automatically re-engage.

ELITE TRI-STAY

Operating instructions for tri-stay friction stays.

*Do not fit screw into top hole. This is a location hole used in the manufacturing process only.

Easiclean catch remains partially concealed.

Mechanism can be slid down to Easiclean position.

Easiclean catch is revealed and can be depressed.

Restrictor Catch has 'latched'. Pressing button allows further opening.

Tristay opened to 'restricted' position.

Tristay opened beyond restricted position to reveal Easiclean release catch.

Easiclean release catch is depressed and Easiclean mode can be deployed.

To strictly conform to the requirements of BS 6375-2:2009, restricted stays should be used in pairs.

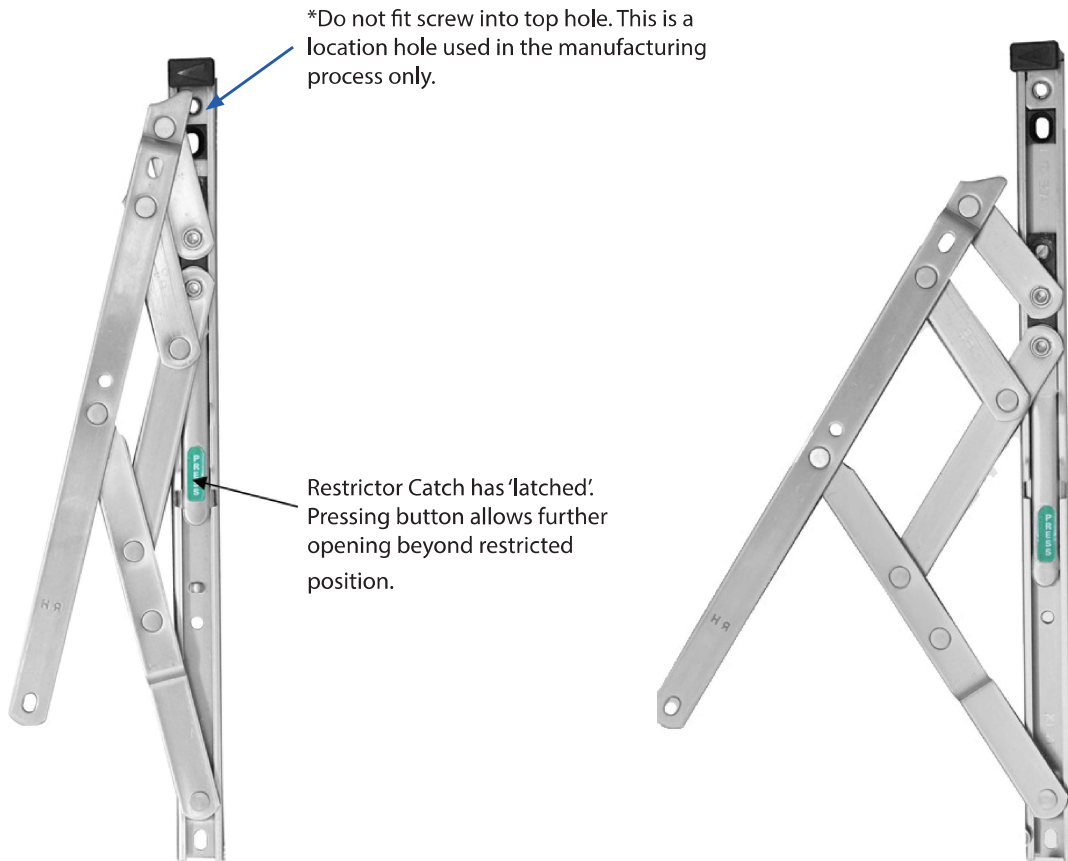
Instructions

1. Open the window to the restricted position.
2. Keeping a slight opening pressure on the window, depress the button marked 'Press' on the lower stay. Keeping the same slight opening pressure on the window, depress the 'Press' button on the upper stay. This will allow the window to fully open. (If outward pressure is not maintained on the window the 'Press' button will simply relocate. This is a safety feature).
3. The fully open window will now expose a second button on each stay. Pressing these buttons will allow the window to slide sideways for easy cleaning. Having released the easiclean catch, slide the window sideways gently to re-engage the restrictor catch. The window can then be activated into the full easiclean position by opening the window in the normal manner. When cleaning has been completed simply slide the window carefully back to its normal position; the catches will then automatically re-engage.
4. Closing the window will automatically relocate the restrictor devices.

ELITE RESTRICTOR STAYS



Operating instructions for restrictor stays.



Restrictor stay opened to 'restricted' position.

Restrictor stay opened beyond restricted position.

To strictly conform to the requirements of BS 6375-2:2009, restricted stays should be used in pairs.

Instructions

1. Open the window to the restricted position.
2. Keeping a slight opening pressure on the window, depress the button marked 'Press' on the lower stay. Keeping the same slight opening pressure on the window, depress the 'Press' button on the upper stay. This will allow the window to fully open.
3. (If outward pressure is not maintained on the window the 'Press' button will simply relocate. This is a safety feature).
4. Closing the window will automatically relocate the restrictor devices.

RECOMMENDED SCREWS

Screws with a shallow head should be used when fitting friction stays. This will allow for more clearance when opening and closing windows.

Available in zinc passivated Carbon Steel, in either yellow or 'clear' finish, to withstand a minimum of 250 hours salt spray test or Austenitic and Martensitic Stainless Steel, the latter being independently (UKAS) certified to over 3000 hours salt spray test.



Improved Grip

Innovative under head ribs on many head styles act as a brake to avoid spinning and improve grip on hardware, preventing movement.

Friction Stay to PVCU

Product Code	Box Qty
LFG4.3X16	1000
LFG4.3X20	1000
LFG4.3X25	1000

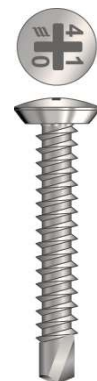
Available in Zinc and Stainless Steel



Friction Stay to Reinforced PVCU

Product Code	Box Qty
SSR3.9X16	1000
SSR3.9X19	1000
SSR3.9X25	1000

Available in Zinc and Stainless Steel



Friction Stay to PVCU (Repairs)

Product Code	Box Qty
LFG4.8X20	1000
LFG4.8X25	1000

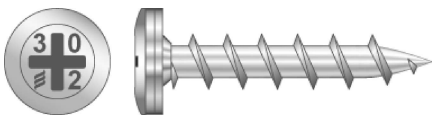
Available in Zinc and Stainless Steel



The LFG screw is a friction stay screw that deals with many of the problems associated with fixing especially with Egress stays.

The head has a low profile and is thinner than any standard screw. This means that it will not bind or scrape on the hinge in operation. This is available in 20mm at the moment and 16mm in the new year. This screw is not needed on the vent arm to sash, only hinge track to outer frame.

The screw also has locking serrations under the head to help the screw tighten, but then work against the screw to ensure that the screw does not work loose during use. This will help sash drop and hinge movement.



Friction Stay to PVCU

Product Code	Box Qty
LFG4.3X20	1000

DGS Group Plc.
Sycamore Rd,
Trent Lane Ind Estate,
Castle Donington,
Derbyshire,
DE74 2NW.

T: 01332 811611
E: sales@dsgsgroup.co.uk