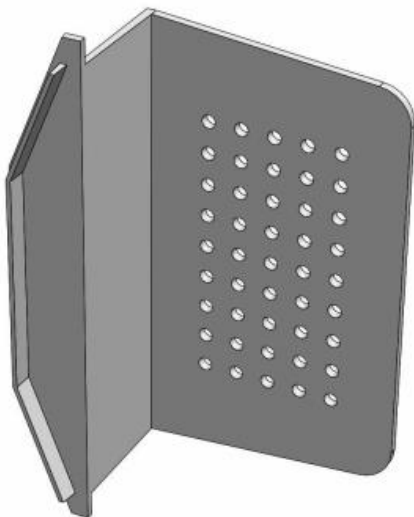
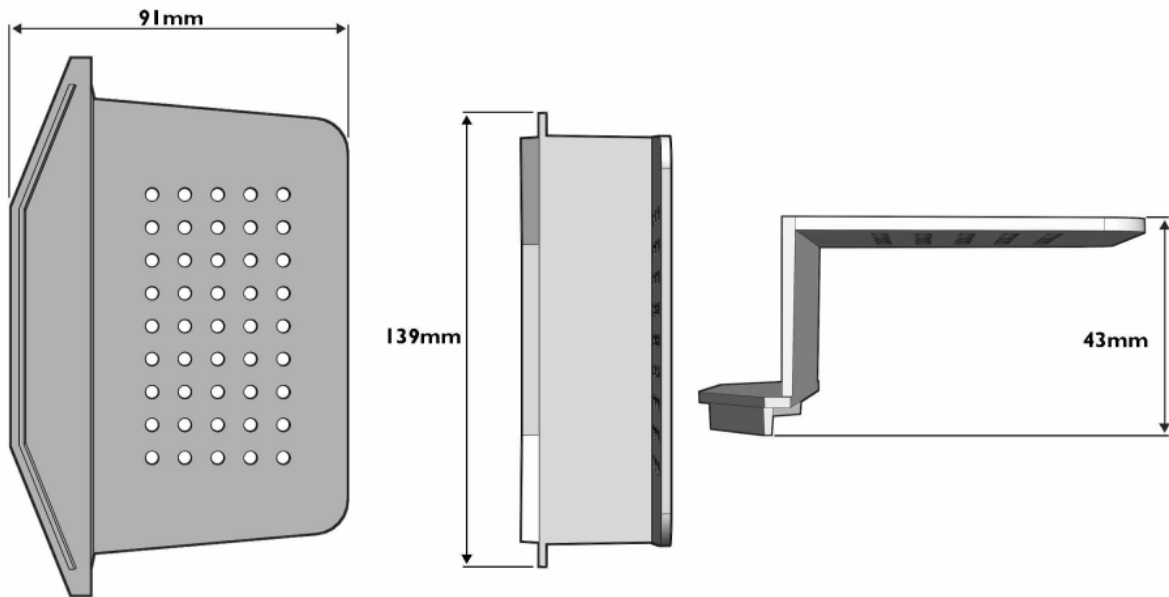


# Dry Verge System

## Starter Cap

The starter cap is used to prevent access of birds and large insects into the roof structure at the base of the roof verge.

The starter cap can be fixed by nailing into the end of the fascia board, the first dry verge unit is then securely attached over the starter cap which provides a strong base for the rest of the dry verge system.



**Packing Details** :25 units

**Weight** :31g per unit

**Material** :Polypropylene (PP)

**Manufacturing Process** :Injection moulding

**Available Colours** :Terracotta, Brown, Grey, Black