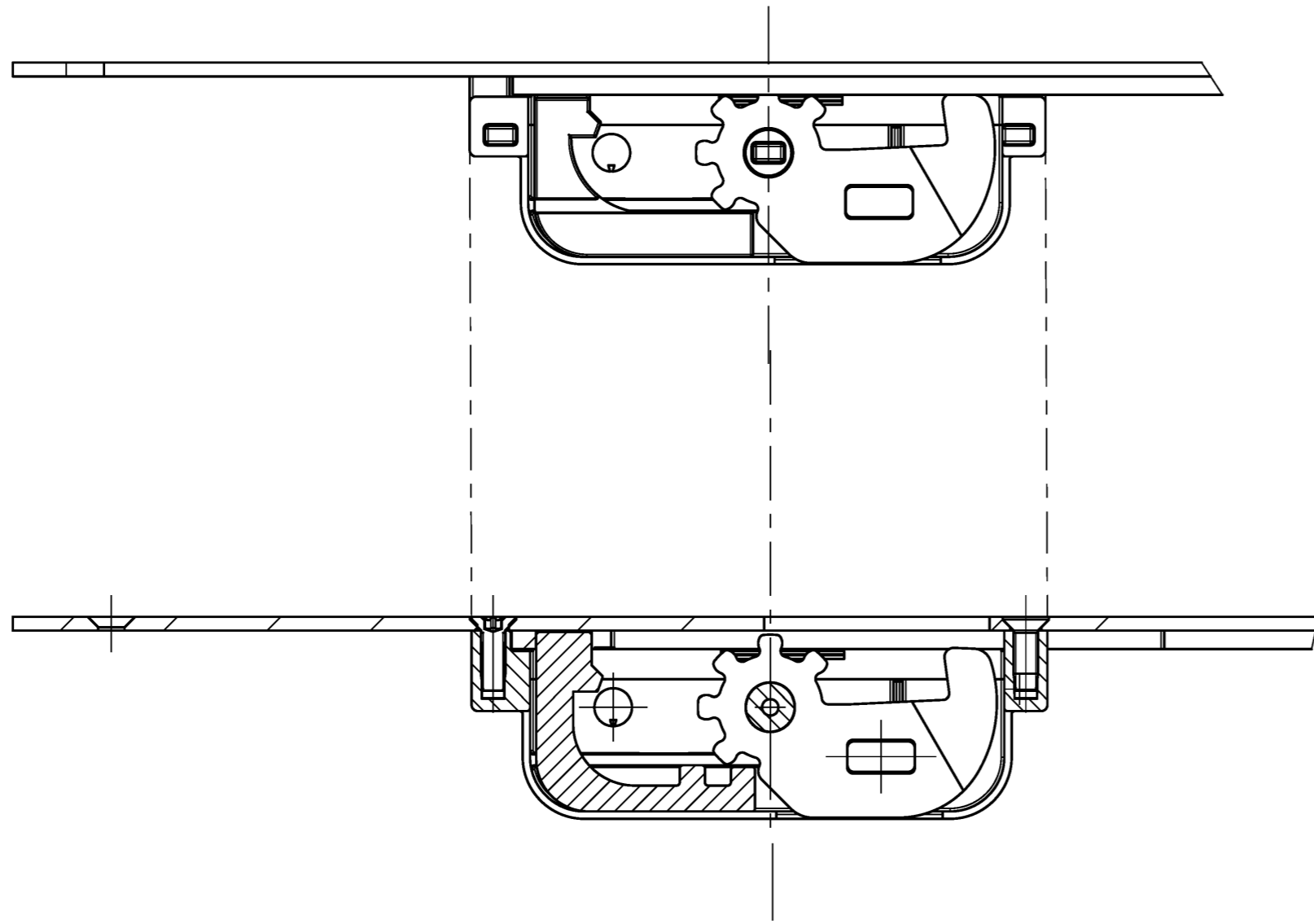
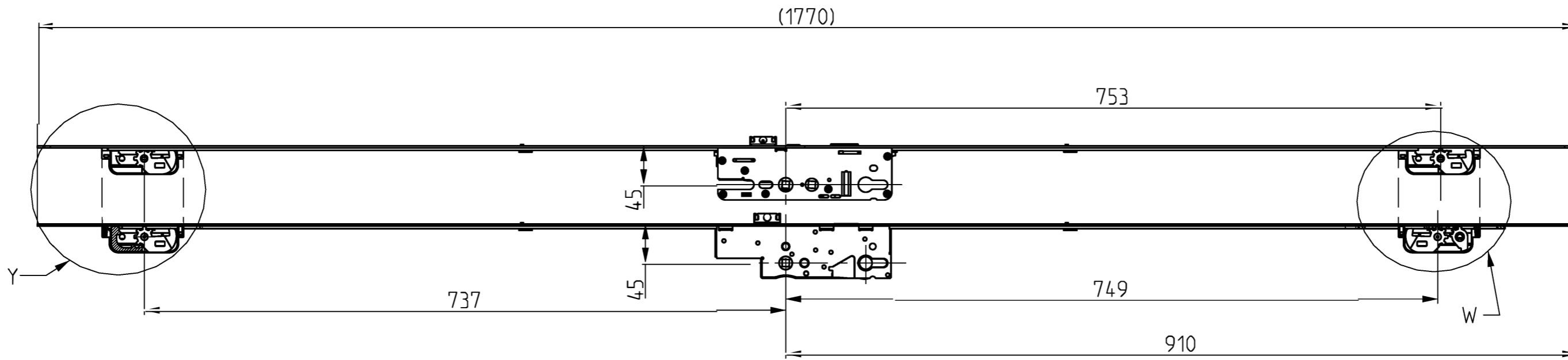
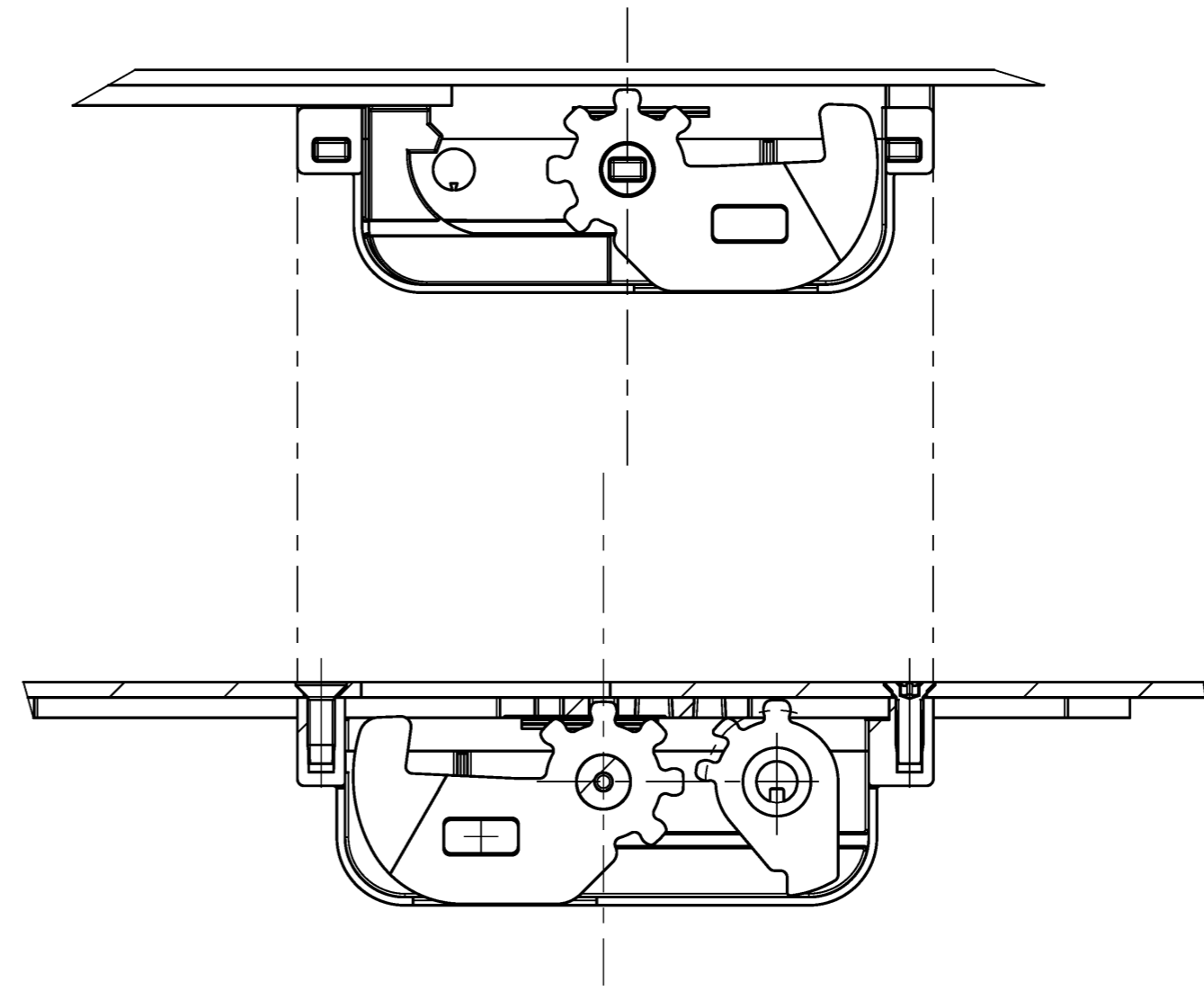


Y  
1:1



W  
1:1



ISO 2768-1	Dopustni odstopki nerotiranih linearnih dimenzij/ Permissible deviations for linear dimensions
Stoignja točnosti/ Tolerance class	3 6 120 400 1000 2000
M srednja/med lum	±0.1 ±0.2 ±0.3 ±0.5 ±0.8 ±1.2 ±2

© ISO 2768-1:2013  
DOKUMENTI DOKAZUJU, DA JE DOKUMENTIRAN, KAKO JE IZVEDEN IZ VEŠTAČNEGA  
IZVEŠČAJA, KI JE BIL IZVEDEN V SKLADU S ISO 9001:2015. VSE PRAVICE SO OHRANJENE.  
THE INFORMATION CONTAINED HEREIN IS THE PROPERTY OF DGS. ALL RIGHTS RESERVED IN THE EVENT OF  
REPRODUCTION, DISTRIBUTION AND PUBLICATION OF THIS DOCUMENT AS WELL AS THE COMMUNICATION OF ITS CONTENTS TO OTHERS WITHOUT  
THE WRITTEN PERMISSION OF DGS. ALL RIGHTS RESERVED IN THE EVENT OF REPRODUCTION, DISTRIBUTION AND PUBLICATION OF THIS DOCUMENT AS WELL AS THE COMMUNICATION OF ITS CONTENTS TO OTHERS WITHOUT  
THE WRITTEN PERMISSION OF DGS.

Model name: D22A027-200  
Dwg name: D22A027-200  
A.1 / Razvoj / 12.04.2022

Prva izdaja/First edition	Križna/Design	12.04.2022	Tadic P.	Toleriranje/Tolerancing ISO 8015	
-	Pregled/Check	-	-	Dim. tolerance/Dimensional Tol. ISO 2768-m	
-	Osobni/Approval	-	-	Geom. tolerance/Geom. Tolerances ISO 2768-mH	
Opis spremembe / Revision description		Mera/Scale		Zapora	
0	Tadic P.	Nadomesta / Replaces	Stevilka projekta/Project No.	1:5	
St./No	Ime/Name	2022-014	Razvojni št./Development No.	ELT CL 45/92/8 1770/2x20 2H	
Sprememba / Revision	-	-	Površina/Surface area	Lock-ELT CL 45/92/8 1770/2x20 2H	
			cm <sup>2</sup>	List/Sheet	Datum spr./Rev. date
				1/1	12.04.2022
				Indeks/Index	A